

HUSKY CENTER LINE® HD Towing System

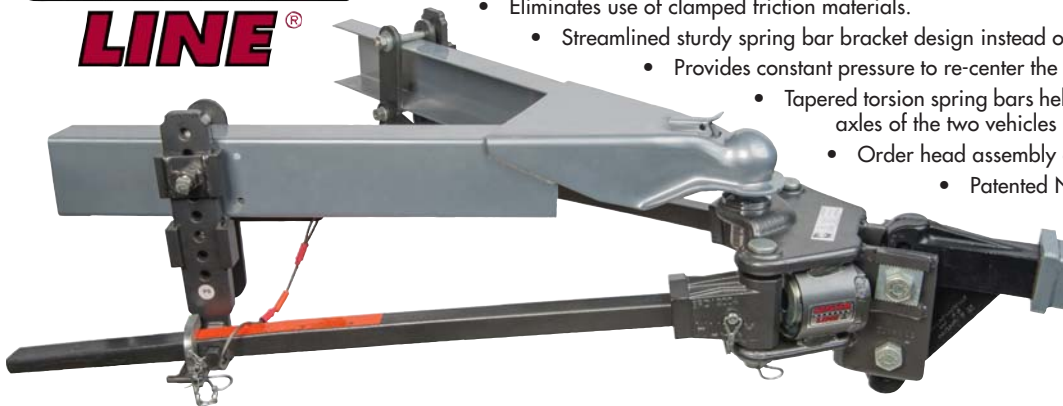
The CENTER LINE HD Torsion Weight Distribution Hitch and Active Sway Control System is the next generation in towing safety and performance.

The industry's first self centering sway control system, to provide you with complete confidence while towing. Compression cylinder action and torsion spring bars work together to distribute weight and oppose trailer sway before it begins, keeping your trailer straight and on center, for increased control. The **Center Line** system can be used in all driving and weather conditions. The "Easy Adjust" head alignment allows quick and easy set-up at the time of installation. is Backed by a limited lifetime warranty for as long as you own the product.

CENTER LINE®

ADVANTAGES OF HUSKY'S CENTER LINE HD ACTIVE SWAY CONTROL TECHNOLOGY

- Compression cylinder design applies counter pressure to actively control trailer sway.
- Eliminates use of clamped friction materials.
 - Streamlined sturdy spring bar bracket design instead of chains for easier set-up.
 - Provides constant pressure to re-center the trailer behind the tow vehicle.
 - Tapered torsion spring bars help transfer weight between all axles of the two vehicles for safe towing.
- Order head assembly and spring bars separately.
 - Patented Next Generation technology.



The **Center Line HD** system overcomes many problems associated with the equalizing hitches and passive friction sway controls that have been in use for the past 30 years:

- No more removing the sway control when backing up! The **Center Line HD** system is *designed for your convenience*.
- No more waiting for the trailer to right itself as passing trucks, wind or road conditions cause sway. The **Center Line HD** system is *self-centering*.
- You don't have to hear our system to know it's working. The **Center Line HD** system's advanced technology *significantly reduces noise* common with old technology systems.

CENTER LINE HD HEAD ASSEMBLY KIT

Includes head assembly, spring bar brackets, 10" shank, 32017 strap kit and hardware kit. Spring bars not included, required to complete hitch (see below).

Tongue Weight Range	Gross Trailer Weight	Part #
500–1,400 lbs.	4,000–14,000 lbs.	31390

CENTER LINE SPRING BARS ONLY

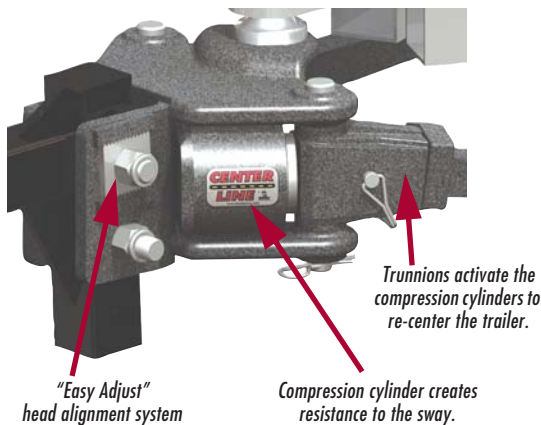
Tapered torsion spring bars provide proper weight distribution to the Center Line system. Match the spring bar rating to the trailer weight. Spring Bars have metallic gray textured finish. Sold in pairs.

Tongue Weight Range	Gross Trailer Weight ¹	Part #
500–800 lbs.	Up to 8,000 lbs.	31511
801–1,200 lbs.	Up to 12,000 lbs.	31512
1,001–1,400 lbs.	Up to 14,000 lbs.	31513

CENTER LINE SHANKS

Shank Length	Shank Rise	Shank Drop	Part #
10" Forged	7-1/2"	1/2"	31552
12"	7-1/2"	1/2"	30855
14"	7-1/2"	1/2"	30856
10"	10-3/4"	3-3/4"	30857
14"	10-3/4"	3-3/4"	30858
12"	13-1/4"	8-1/4"	30859

¹ SAFETY TIP: Do not use the Center Line Hitch with loaded trailers under 4,000 lbs.



Strap Kit for Center Line

Safety strap controls how far the spring bars swing out.

Center Line Feature	Part #
Center Line Spring Bar Strap Kit, Pk/2	32017

