



Dodge 1500, 2002 - 2008 adapter kit.

Part # 30562

Use with bracket kit 31622.
Use with Base Rail Kit 30686
(4-Bolt and 10-bolt).

Dealer / Installer: Provide a copy of these Instructions to the end user of this product. These Instructions provide important operating and safety information for proper usage of this product. Demonstrate the proper use of the product with the end user. Have the end user demonstrate that they understand the proper use of the product.

End User: Read and follow all instructions included in this manual. Ask your Dealer / Installer for assistance if you do not understand the proper use of the product. Never remove any decals from the product.

WARNING! Never exceed the towing capacity of the tow vehicle.

Center Bolt Kit 32059 (sold separately) must be used when towing with a 26K hitch, Goose Neck, or Maneuvering System.

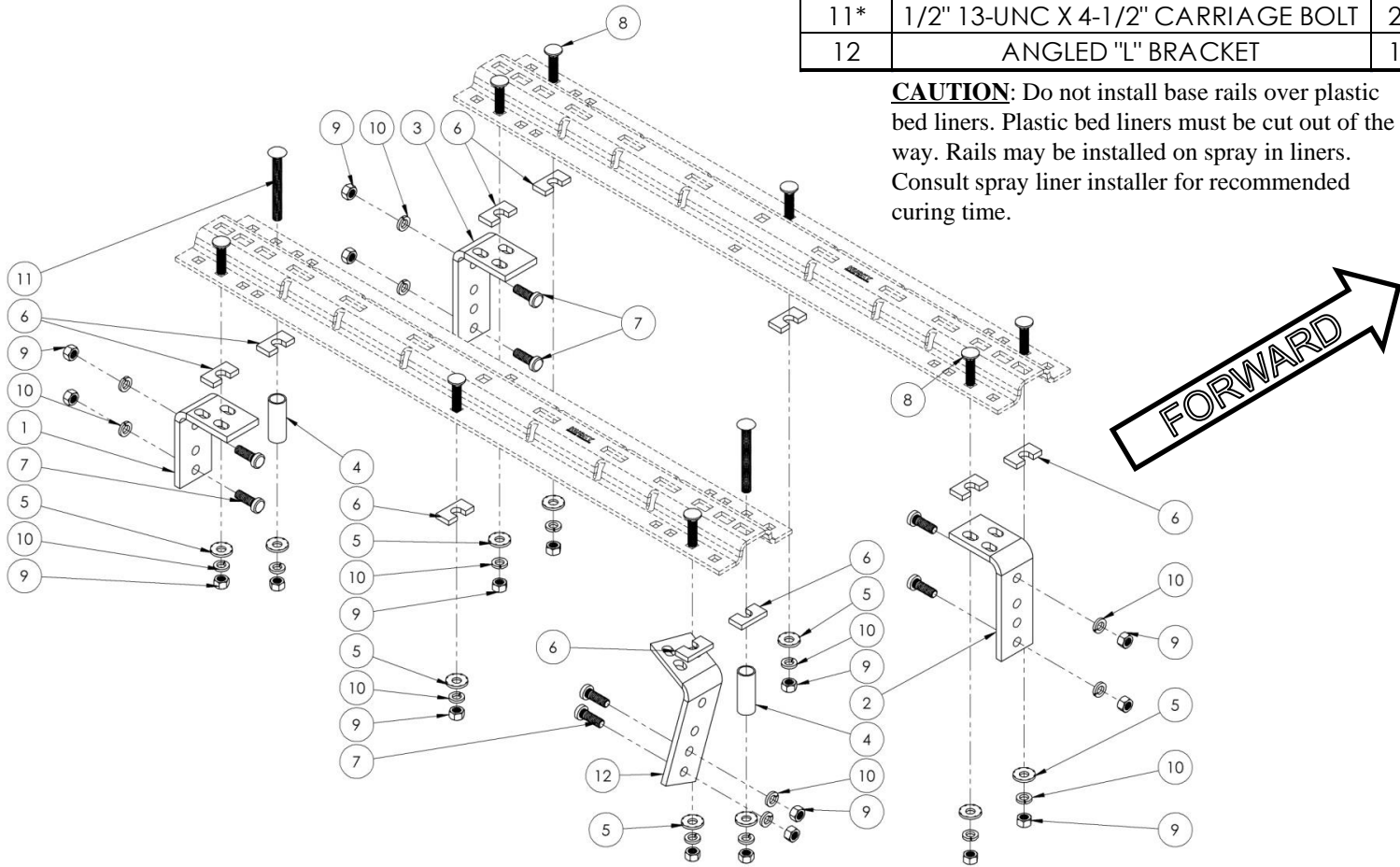
Base Rails Not Included

ITEM NO.	Description	QTY
1*	SHORT RIGHT "L" BRACKET	1
2*	LONG LEFT "L" BRACKET	1
3*	LONG RIGHT "L" BRACKET	1
4*	TUBE SPACER	2
5*	1/2" TOOTH CONICAL WASHER	10
6*	SPACER PLATE	10
7*	1/2-13 UNC X 1.5 WHEEL BOLT	8
8*	1/2-13 X 2" CARRIAGE BOLT	8
9*	1/2-13 UNC HEX NUT	18
10*	HD LOCK WASHER, 1/2" ID	18
11*	1/2" 13-UNC X 4-1/2" CARRIAGE BOLT	2
12	ANGLED "L" BRACKET	1

Items marked (*) come from kit 31622, 10-Bolt Kit.

Tools Needed:

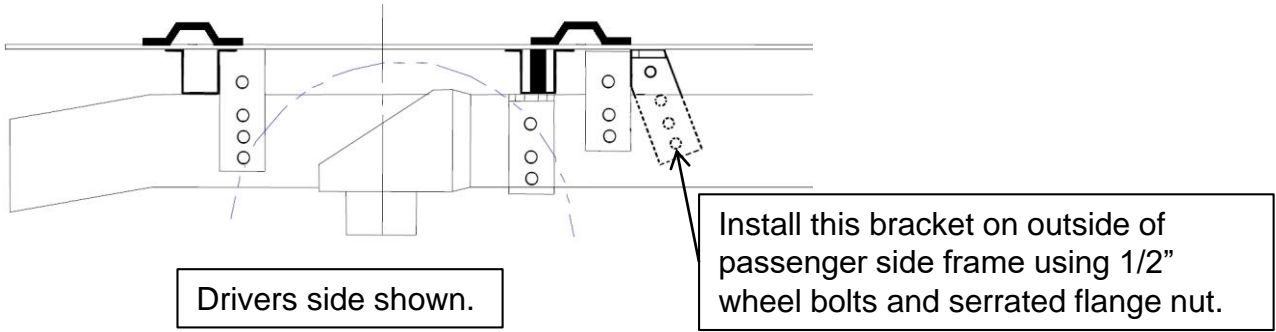
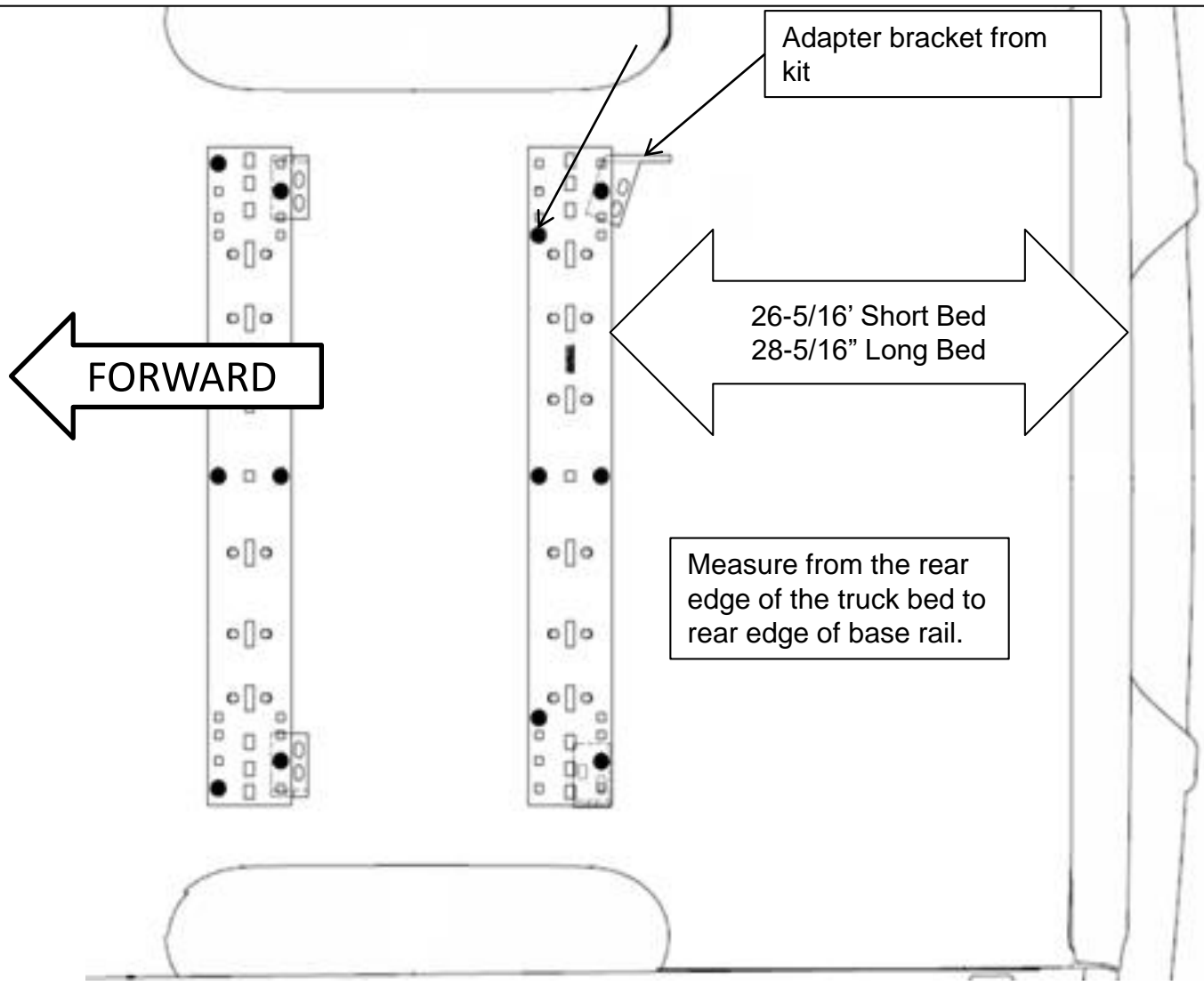
- Sockets/Wrenches: 3/4"
- Drill Bits: 3/16", 17/32", 1" Hole Saw.
- Center Punch.
- Tape Measure.
- 75 lbs-ft min. Torque Wrench.
- Torque 1/2" nuts to 75 lbs.-ft.



CAUTION: Do not install base rails over plastic bed liners. Plastic bed liners must be cut out of the way. Rails may be installed on spray in liners. Consult spray liner installer for recommended curing time.

This adapter kit is to be used with install kit 31622 "Fit #10". This means omitting the passenger side rear bracket and installing a bushing and carriage head bolt the same as on the driver side rear is. Then install the bracket from this kit as shown below.

Mark center of this hole in the base rail and then move rail out of the way and drill a 17/32" hole into the bed and completely through the bottom of the "Hat Channel/Sill Assembly". **BEFORE DRILLING**, ensure there are no components under the bed. Then open up the hole in the bed with a 1" diameter drill. Drop tube spacer through hole in bed, replace rail and insert carriage head bolt and finish by adding the washers and nut from the underside and torque all 1/2"-13 nuts to 75 ft-lbs.



Warranty Terms:

5 Year Limited Warranty:

This warranty applies solely to Husky 5th Wheel Installation Kits manufactured by LKQ Specialty Products Group for Husky Towing Products.

Husky Towing Products and LKQ Specialty Products Group make no guarantees or warranties for products not manufactured by LKQ Specialty Products Group. Such products are covered solely under any applicable warranty of the manufacturer. It is always recommended that the operating instructions and guarantee instructions provided by the manufacturer are followed.

LKQ Specialty Products Group warrants its products to be free from manufacturing and material defects to the original purchaser for the length of warranty stated above from the date of retail purchase. If any products are found to have a manufacturing or material defect, the product will be replaced or repaired at the option of Husky Towing Products and LKQ Specialty Products Group with proof of purchase by the original purchaser. The original purchaser shall pay all transportation and shipping costs associated with the return of the defective product and the defective product shall become the property of LKQ Specialty Products Group.

The Warranty applies to LKQ Specialty Products Group products used for individual and recreational purposes. Commercial usage of the LKQ Specialty Products Group products limits the warranty to 90-days from date of purchase.

The Warranty applies only to LKQ Specialty Products Group products which are found to be defective in manufacturing or material. This warranty does not apply to normal wear and tear of the finished placed on LKQ Specialty Products Group products.

Husky Towing Products and LKQ Specialty Products Group are not responsible for any labor costs incurred for removal or replacement of the defective product.

Husky Towing Products and LKQ Specialty Products Group are not responsible for repair or replacement of any product under the limited warranty where the product was improperly installed, misapplied, altered, abused, neglected, overloaded, misused or damaged as a result of an accident, including any use of the product not in accordance with all product operating and safety instructions.

Without limiting the generality of the foregoing, Husky Towing Products and LKQ Specialty Products Group shall under no circumstances be liable for any incidental or consequential loss or damage whatsoever arising out of, or in any way relating to any such breach of warranty or claimed defect in, or non-performance of the products. Some states do not allow the exclusion or limitation of incidental or consequential damages, so the above exclusion or limitation may not apply to you.

This limited warranty gives you specific legal rights, and you may also have other rights that vary from state to state.