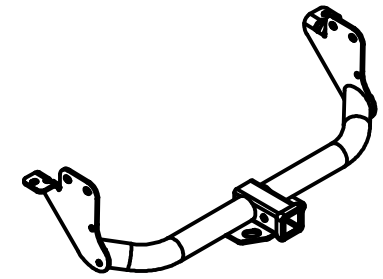




Class III Receiver Hitch

Part No. 69609C



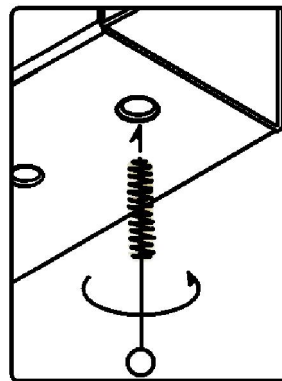
Fits: MITSUBISHI OUTLANDER SPORT



GROSS LOAD CAPACITY WHEN USED AS A WEIGHT CARRYING HITCH: 3,500 LBS. TRAILER WEIGHT & 350 LBS. TONGUE WEIGHT.
WARNING: * DO NOT EXCEED VEHICLE MANUFACTURER'S RECOMMENDED TOWING CAPACITY. *****



Parts List			
ITEM	QTY	PART NUMBER	DESCRIPTION
1	2	M10 - 1.25 x 25	HEX BOLT
2	2	3/8"	CONICAL TOOTHED WASHER
3	4	HFN 1213	HEX FLANGE NUT
4	4	1/2-13 x 4 1/2	CARRIAGE BOLT
5	2	CM-13079-SP	.250" SPACER PLATE

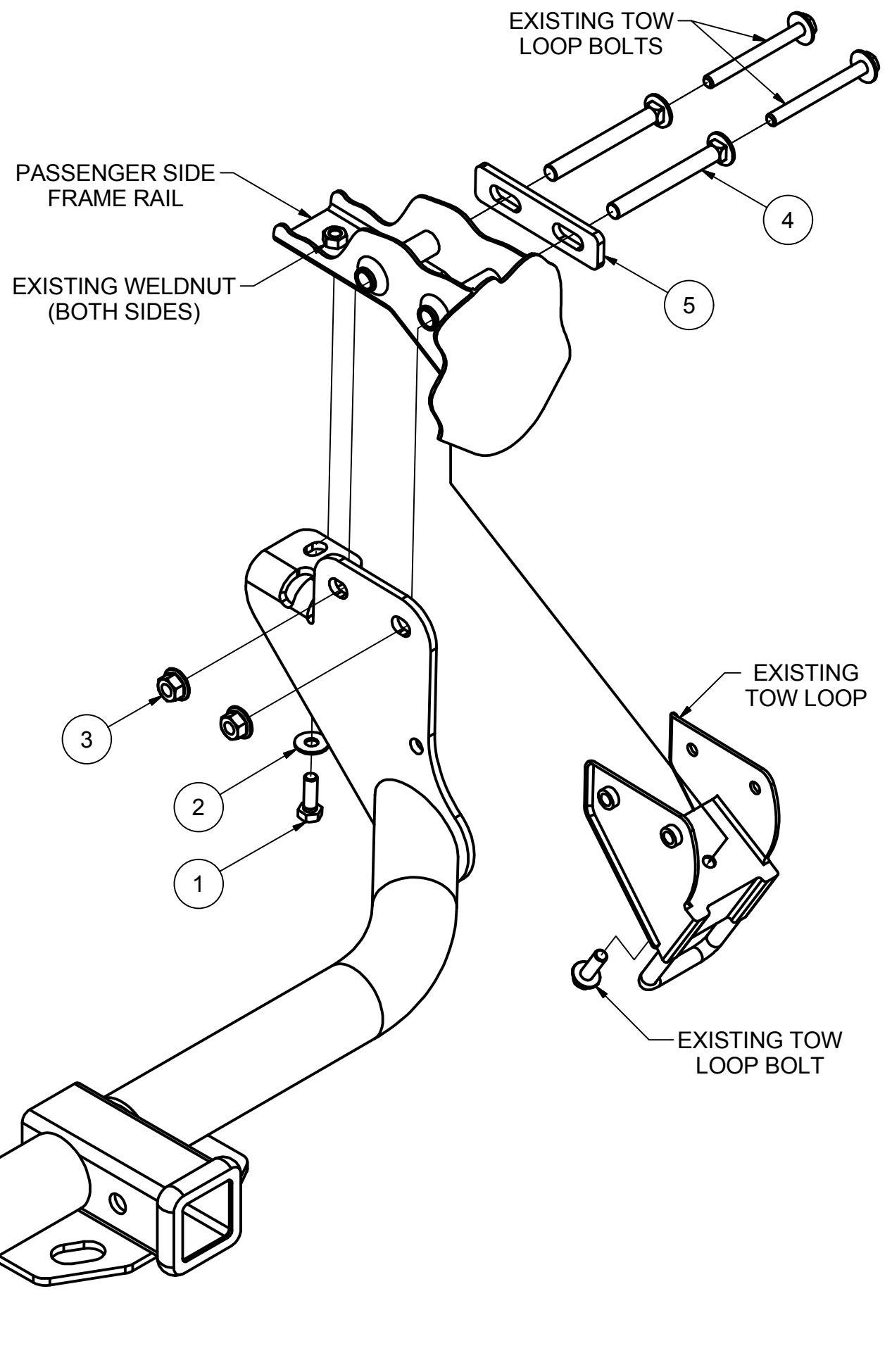


WELDNUT CLEANING

To remove debris from weldnuts in frame, spray lubricant or compressed air into hole. For heavy debris, use a small wire brush. (Be careful not to damage threads).

TOOLS REQUIRED
TORQUE WRENCH
RATCHET
14mm SOCKET
17mm SOCKET
3/4" SOCKET
6" EXTENSION

FRONT
REAR



DRIVER SIDE FRAME RAIL

HITCH WEIGHT: 29 LBS.

INSTALL TIME

PROFESSIONAL: 15 MINUTES

NOVICE (DIY): 30 MINUTES

INSTALL NOTES:

- NO DRILLING REQUIRED
- TOW LOOP REMOVAL

INSTALLATION STEPS

1. Remove (3) bolts and tow loop from the passenger side frame rail. Return bolts and tow loop to owner.
2. Insert 1/2-13 X 4 1/2" carriage bolts and CM-12048-SP spacers through the existing holes in the side of the frame rails, as shown. After bolts are inserted push them back so the end is flush with the inside of the frame rails. **Note:** On the driver side reach between the bumper cover and rear wheel well to access the holes in the side of the frame rail.
3. Raise the hitch into position and slide the bolts in the side of the frame rails through the holes in the hitch. Loosely secure hitch with 1/2" hex flange nuts. **Note:** The carriage bolts should sit flat on the spacers. **Note:** For ease of installation raise the driver side into position first, then raise the passenger side.
4. Align the bottom tabs of the hitch with the weldnuts in the frame rails and secure with M10-1.25 x 25mm bolts and 3/8" conical toothed washers.
5. Torque all 10mm hardware to 48 ft-lbs.
Torque all 1/2" hardware to 110 ft-lbs.

PERIODICALLY CHECK THIS RECEIVER HITCH TO ENSURE THAT ALL FASTENERS ARE TIGHT AND THAT ALL STRUCTURAL COMPONENTS ARE SOUND.

Keystone Automotive Operations Inc., warrants this product to be free of defects in material and/or workmanship at the time of retail purchase by the original purchaser. If the product is found to be defective, Keystone Automotive Operations Inc., may repair or replace the product, at their option, when the product is returned, prepaid, with proof of purchase. Alteration to, misuse of, or improper installation of this product voids the warranty. Keystone Automotive Operations Inc.'s liability is limited to repair or replacement of products found to be defective, and specifically excludes liability for incidental or consequential loss or damage. This product complies with safety specifications and requirements for connecting devices and towing systems of the state of New York, V.E.S.C. Regulation V-5 and SAE J684. For Technical & Warranty Support: 1-877-544-4449 Fax- 1-855-242-8922 www.huskytow.com

11202017