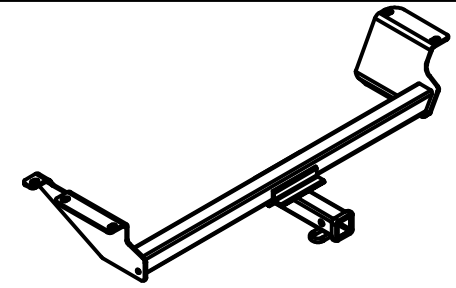




Class III Receiver Hitch

Part No. 69479C



Fits: DODGE GRAND CARAVAN S, SXT / CHRYSLER TOWN AND COUNTRY TOURING /
VOLKSWAGEN ROUTAN S, SE, SEL / RAM CARGO VAN



GROSS LOAD CAPACITY WHEN USED AS A WEIGHT CARRYING HITCH: 4,000 LBS. TRAILER WEIGHT & 400 LBS. TONGUE WEIGHT.
GROSS LOAD CAPACITY WHEN USED AS A WEIGHT DISTRIBUTION HITCH: 5,000 LBS. TRAILER WEIGHT & 500 LBS. TONGUE WEIGHT



WARNING: * DO NOT EXCEED VEHICLE MANUFACTURER'S RECOMMENDED TOWING CAPACITY. *****

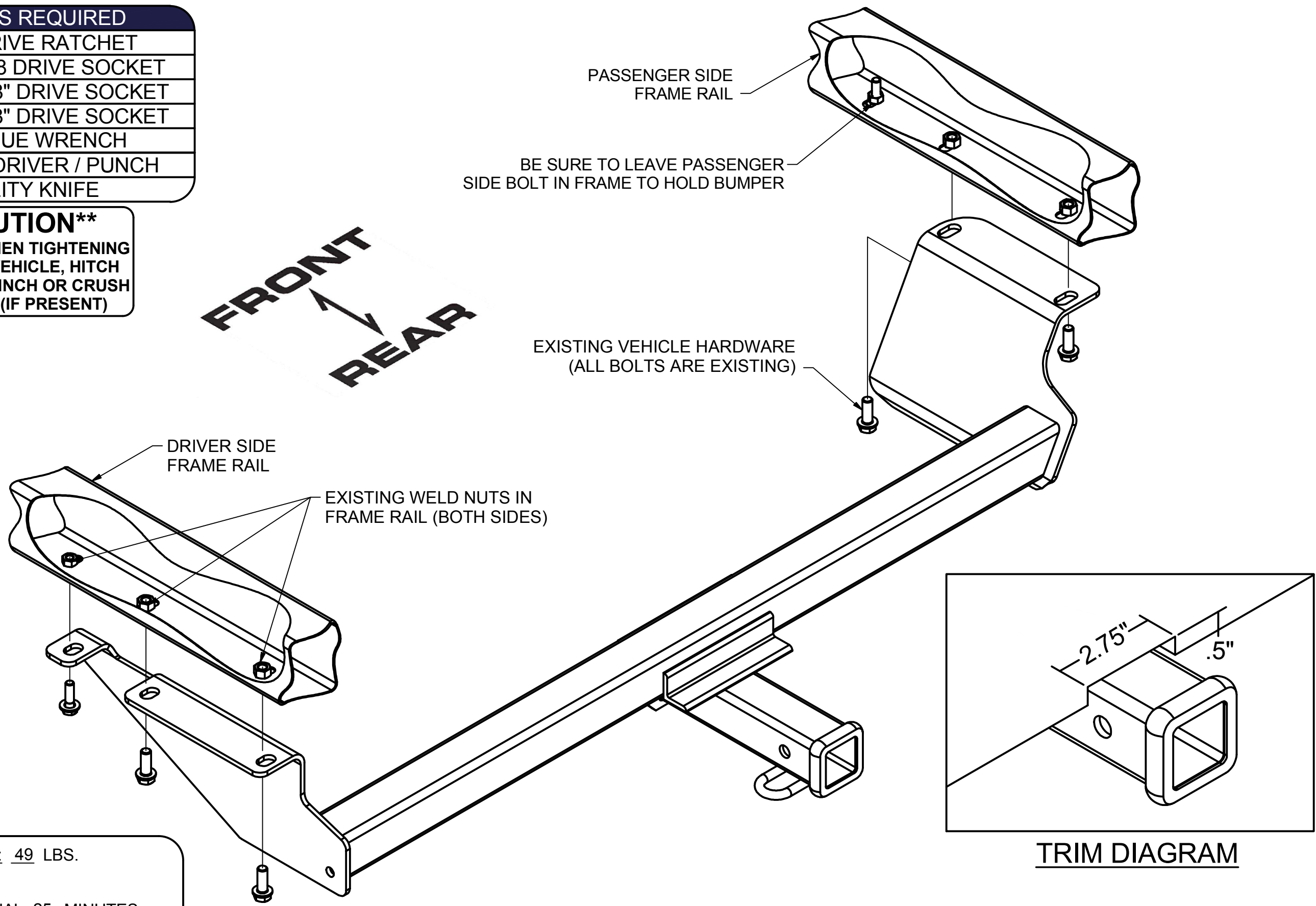
TOOLS REQUIRED

| |
|--------------------------|
| 3/8" DRIVE RATCHET |
| 18mm - 3/8 DRIVE SOCKET |
| 15mm - 3/8" DRIVE SOCKET |
| 13mm - 3/8" DRIVE SOCKET |
| TORQUE WRENCH |
| SCREW DRIVER / PUNCH |
| UTILITY KNIFE |

CAUTION

BE SURE WHEN TIGHTENING
HITCH TO VEHICLE, HITCH
DOES NOT PINCH OR CRUSH
AC LINES (IF PRESENT)

FRONT
↓
REAR



HITCH WEIGHT: 49 LBS.

INSTALL TIME

PROFESSIONAL: 25 MINUTES

NOVICE (DIY): 50 MINUTES

INSTALL NOTES:

- NO DRILLING REQUIRED
- USE EXISTING FASTENERS
- LOWER EXHAUST
- TRIMMING MAY BE REQUIRED

***** USE EXISTING VEHICLE HARDWARE *****

***** BE SURE LEAVE BOLT ON PASSENGER SIDE TO HOLD BUMPER BEAM IN POSITION *****

INSTALLATION STEPS

- 1) Locate and remove the (2) bolts using a 15mm socket and (3) bolts using a 18mm socket as shown above. Leave (1) 12mm bolt on passenger side of vehicle frame toward the front of vehicle that holds the bumper bracket to vehicle frame. Remove the bolt(s) holding the exhaust and muffler hanger(s). This will allow exhaust to drop down out of the way for hitch installation.
 - 2) Raise hitch into position against the bottom of vehicle frame and align holes in hitch frame brackets with the holes in vehicle frame. Be sure air conditioning (AC) lines are not pinched between hitch and frame rail (if AC lines are present). (Fascia trimming may be required on Town and Country van, refer to trim diagram).
 - 3) Mount hitch using existing 10mm and 12mm bolts, may need a punch or screw driver to align holes.
 - 4) Torque all 10mm fasteners to 48 lb-ft, and all 12mm fasteners to 86 lb-ft.
 - 5) Raise the muffler and re-install any other exhaust bolts removed earlier in Step 1.
- NOTE:** Rotating exhaust hanger bracket before tightening will add clearance between side bracket and exhaust.

PERIODICALLY CHECK THIS RECEIVER HITCH TO ENSURE THAT ALL FASTENERS ARE TIGHT AND THAT ALL STRUCTURAL COMPONENTS ARE SOUND.